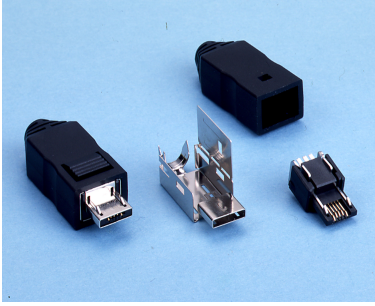


# Micro USB A Connector 5pin Male Solder Type



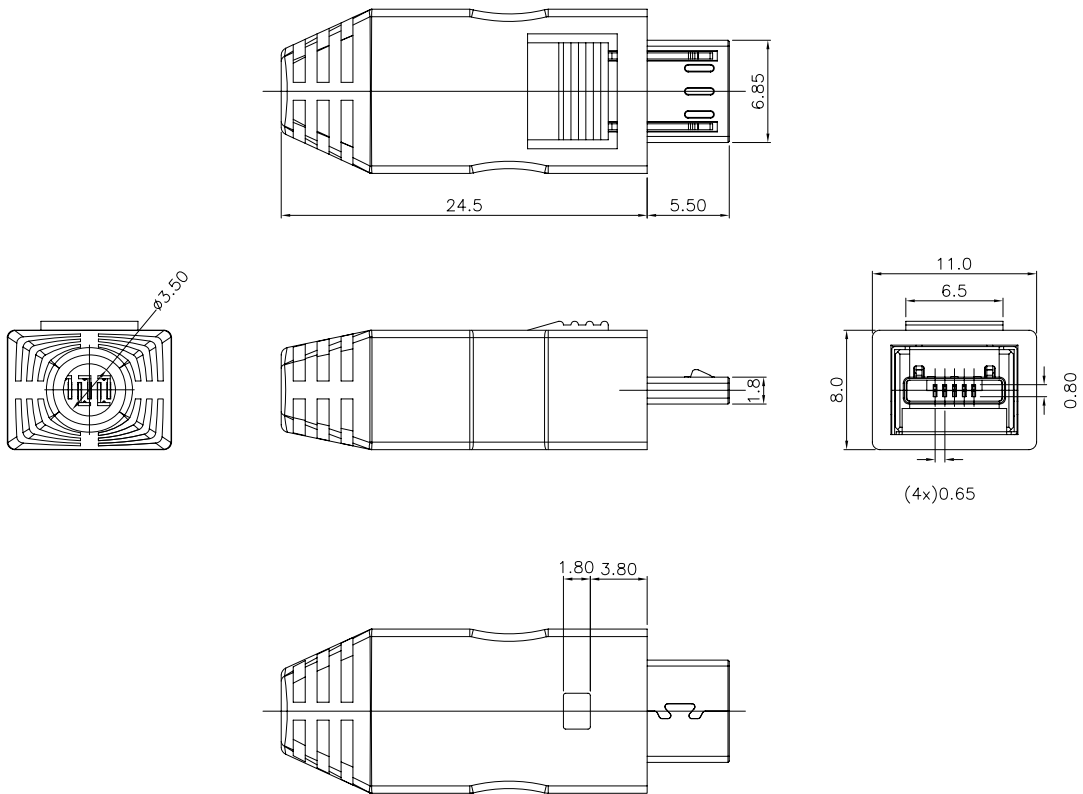
## SPECIFICATIONS

### Material:

- Insulator: Nylon-66, UL94V-0 Rated
- Contact: Phosphor Bronze, Selective Gold Plated
- Shell: Stainless Steel
- Latch: Stainless Steel
- Cover: Nylon-66, UL94V-0 Rated

### Electrical

- Insulation Resistance: 100MΩ Min
- Contact Resistance: 30mΩ Max
- Dielectric Withstanding Voltage: 100V AC for 1 minute
- Current Rating: 0.5 AMP
- Voltage Rating: 250V AC
- Operating Temperature: -20° C ~ 60° C



## ORDER INFORMATION

MRUBA S - 05 P N 0 R

1

2

3

4

5

6

7

1.SERIES NO.  
MRUBA:Micro USB A Type

3.NO. OF CONTACTS  
05:5pin

5.INSULATOR COLOR  
N:Black

7.R:RoHS

2.TERMINAL VERSION  
S:Solder Type

4.CONNECTOR TYPE  
P:Male

6.PACKAGING  
0:Bulk